

Aluminium Cutting Machines

HA 2010

HA 2012

HA 2014

HA 2016

HA 2010
Single Head Saw-Pneumatical Clamp



148 kg

HA 2012
Single Head Saw-Manual Clamp



148 kg

HA 2014
Portable Single Head Saw-Pneumatical Clamp



69 kg

HA 2016
Portable Single Head Saw-Manual Clamp



69 kg



- Saving of time thanks to rotating plate after profile ends are cut.



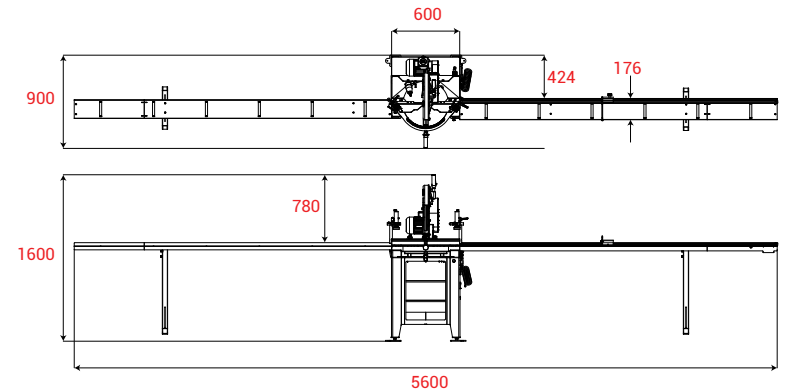
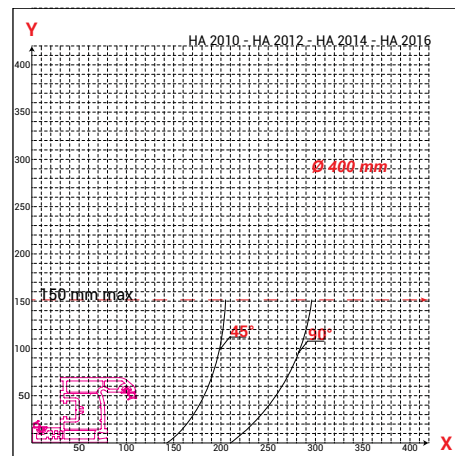
- Practical positioning on each 5°.
- Possibility to fixing at intermediate angles.
- +45°, -45° cutting.



- Double safety system.

General Features

- Precise cutting of Aluminium profiles.
- Has lubrication system.
- High quality with economical prices.
- Patented glazing bead apparatus.



HA1010 - HA2010

400 V (50-60 Hz) (kW)	6-8 bar (t/dk)	kg	W x L x H (mm)	L (min.) x L(max.) (mm)	a x h (mm) (min.)	a x h (mm) (max.)	ØD x Ød x b (mm)
1,1	100	160	5600 x 900 x 1600	320 x 3200	20 x 20	120 x 120	400 x 32 x 4,0

HA1014 - HA2014

400 V (50-60 Hz) (kW)	6-8 bar (t/dk)	kg	W x L x H (mm)	L (min.) x L(max.) (mm)	a x h (mm) (min.)	a x h (mm) (max.)	ØD x Ød x b (mm)
1,1	100	70	600 x 900 x 800	320 x 3200	20 x 20	120 x 120	400 x 32 x 4,0