



- Practical adjustment with rotating mechanical support plates.
- End milling of 1 to 6 profiles.
- Easy and safe cutter change as it is pneumatical and has special lock system.



- Side press pistons to provide end milling at setsquare.



- Front sections to store the cutters.

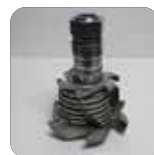


- End milling of 6 profiles at the same time.
- Thanks to screwed shaft system the speed is adjusted electronically to provide high quality products.

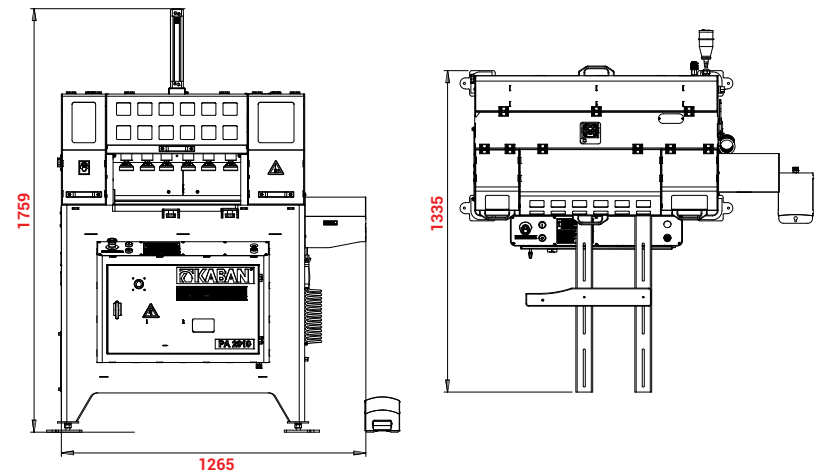
General Features

- End milling of Aluminium profiles.
- Has lubrication system.
- Practical cutter progress speed adjustment thanks to screwed shaft system.
- Safe operation with safety cover.
- Electronical speed adjustment prevents profiles breakage while processing.
- Support arms in front of the machine to provide stable end milling of profiles up to 2.5 meters.

Optional Equipments



- End Milling Cutters



PA 2015

400 V (50-60 Hz) (kW)	6-8 bar (l/dk)	kg	W x L x H (mm)	a x h (mm) (min.)	a x h (mm) (max.)	ØD x Ød x b (mm)	A x B (mm)	
2,05	380	344	1265 x 1335 x 1759	25 x 25	(*) x 120	210 x 30 x 130	-	-